

BACK LATCHING DEVICE FOR MO6500S

Z892 ASM 70000086

AVAILABLE MODEL MO-6504S-0E6-40K

MO-6504S-0F6-40K

Z893 ASM 70000087

AVAILABLE MODEL MO-6514S-BE6-40K

MO-6514S-BE6-34K/G43/Q142

Z894 ASM 70000088

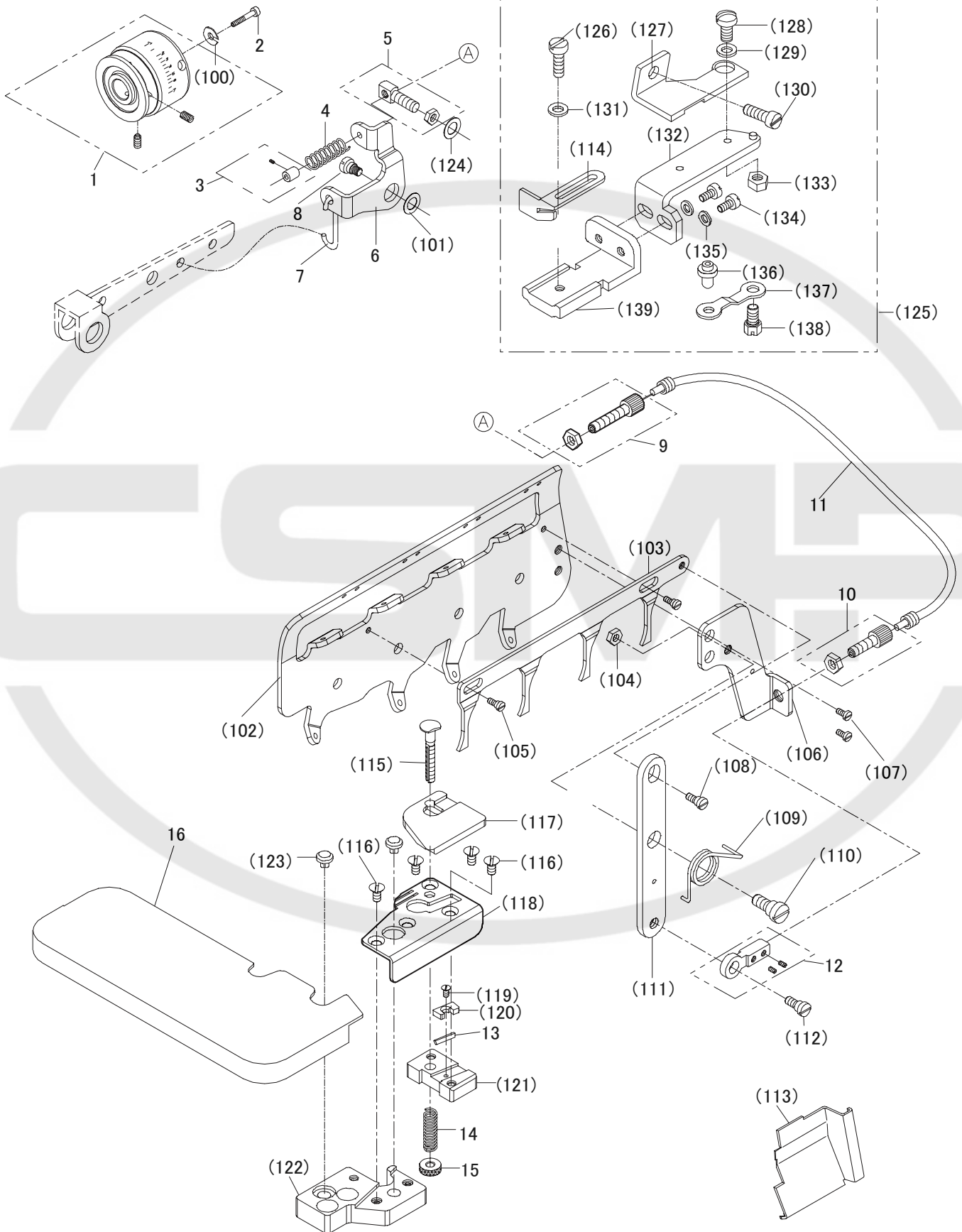
MO-6514S-BE6-40W

MO-6514S-BE7-44W/G43/Q142

MO-6514S-BE6-20K

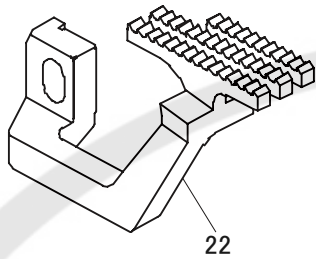
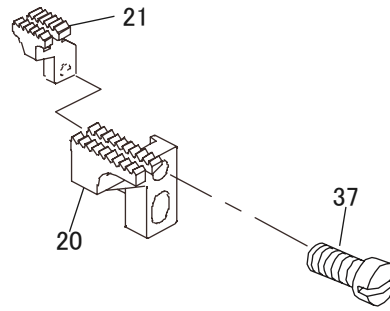
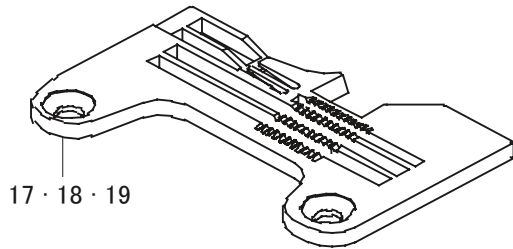
MO-6514S-BE6-24K/G43/Q142

MO-6514S-BE6-20W

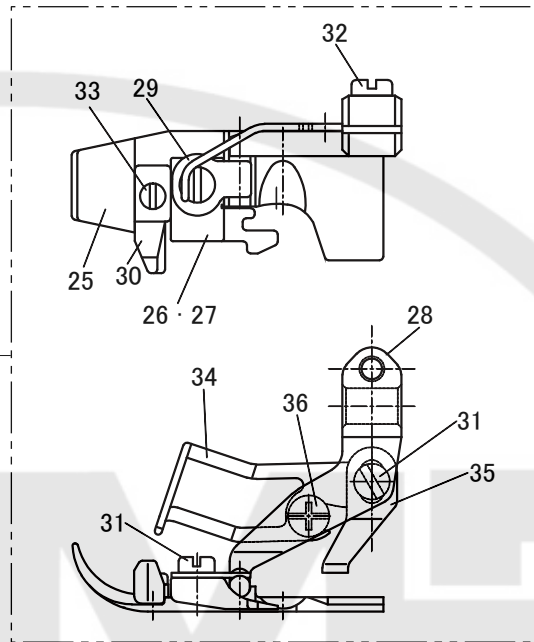


REF.NO	NOTE	PART NO	DESCRIPTION	Qty
1		70000927	HAND WHEEL(SYNCHRO)	1
2		70000928	M_SCREW(SYNCHRO)	1
3		70000929	COLLAR	1
4		70000930	SPRING	1
5		70000931	SCREW	1
6		70000932	WIRE ROPE PLATE	1
7		70000933	HOOK BAR	1
8		70000934	M_SCREW	1
9		70000935	SCREW	1
10		70000936	SCREW	1
11		70000937	CLUTCH CABLE	1
12		70000938	SCREW	1
13		70000939	KNIFE	1
14		70000940	SPRING	1
15		70000941	NUT	1
16		70000942	FABRIC PLATE COVER	1
(100)	-	-	WASHER	1
(101)	-	-	WASHER	1
(102)	-	-	THREAD GUIDE PLATE	1
(103)	-	-	THREAD TENSION PLATE	1
(104)	-	-	NUT	1
(105)	-	-	E_SCREW	2
(106)	-	-	FIXED PLATE	1
(107)	-	-	E_SCREW	2
(108)	-	-	E_SCREW	1
(109)	-	-	SPRING	1
(110)	-	-	E_SCREW	1
(111)	-	-	FIXED PLATE	1
(112)	-	-	E_SCREW	1
(113)	-	-	FRONT COVER	1
(114)	-	-	FABRIC GUIDE	1
(115)	-	-	THREAD TENSION SHAFT	1
(116)	-	-	M_SCREW	4
(117)	-	-	COVER	1
(118)	-	-	FIXED PLATE	1
(119)	-	-	M_SCREW	1
(120)	-	-	FIXED BLOCK	1
(121)	-	-	FIXED SEAT	1
(122)	-	-	NEEDLE PLATE BRACKET	1
(123)	-	-	RUBBER PLUG	2
(124)	-	-	WASHER	1
(125)	-	-	FABRIC GUIDE ASM	1
(126)	-	-	E_SCREW	(1)
(127)	-	-	FABRIC GUIDE SEAT	(1)
(128)	-	-	E_SCREW	(1)
(129)	-	-	GASKET	(1)
(130)	-	-	E_SCREW	(1)
(131)	-	-	WASHER	(1)
(132)	-	-	FIXED PLATE	(1)
(133)	-	-	NUT	(1)
(134)	-	-	E_SCREW	(2)
(135)	-	-	WASHER	(2)
(136)	-	-	PIN	(1)
(137)	-	-	SPRING PLATE	(1)
(138)	-	-	E_SCREW	(1)
(139)	-	-	SWING AXLE	(1)

NOTE MODEL AFTER ATTACHMENT  
Z892:MO-6504S-0E4-40K  
Z893:MO-6514S-BD4-△△△  
Z894:MO-6514S-BE4-△△△



23 · 24



REF.NO	NOTE	PART NO	DESCRIPTION	Qty
17	#01	70001011	NEEDLE PLATE	1
18	#03	70001012	NEEDLE PLATE	1
19	#04	70001013	NEEDLE PLATE	1
20		70001014	FEED DOG	1
21		70000782	FEED DOG	1
22		70001015	FEED DOG	1
23	#01	70001016	PRESSER FOOT ASM	1
24	#02	70001017	PRESSER FOOT ASM	1
25		70001018	PRESSER FOOT	(1)
26	#02	70001019	STITCH TONGUE	(1)
27	#01	70001020	STITCH TONGUE	(1)
28		70000859	PRESSER FOOT HINGE	(1)
29		70000860	SPRING	(1)
30		70000861	CURL GUARD	(1)
31		70000500	E_SCREW	(2)
32		70000505	E_SCREW	(1)
33		70000877	E_SCREW	(1)
34		70000735	NEEDLE GUARD	(1)
35		70000304	FIXED PLATE	(1)
36		70000538	E_SCREW	(1)
37		70000572	E_SCREW	1

NOTE #01 FOR Z892  
 #02 FOR Z893 Z894  
 #03 FOR Z893  
 #04 FOR Z894